

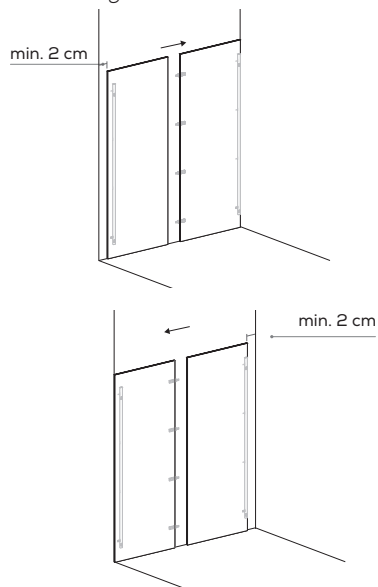
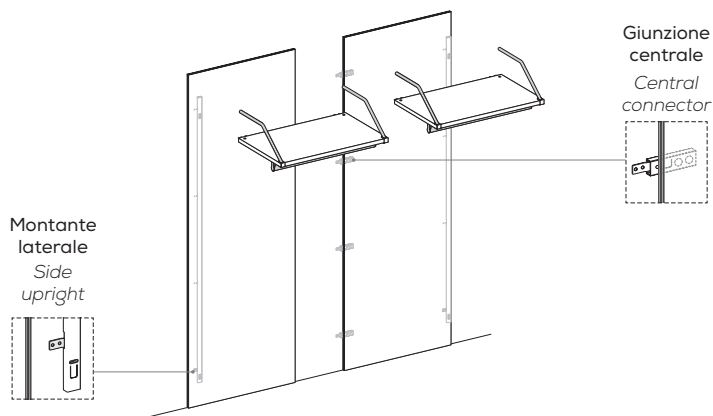
Boiserie WALLY

WALLY wall panelling

Pannellatura a muro autoportante con piedini regolatori.
Self-supporting wall panelling with adjustment feet.

Note per montaggio

Assembly notes

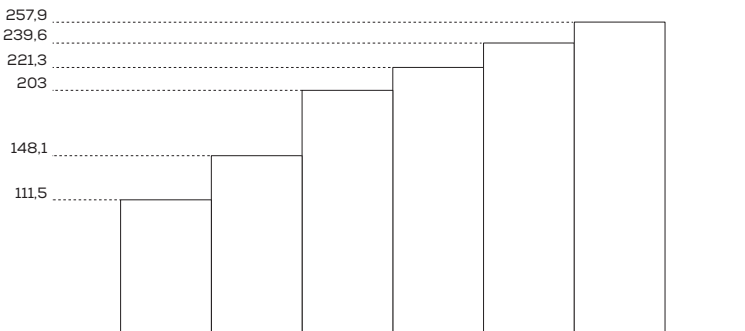


ALTEZZE

HEIGHTS

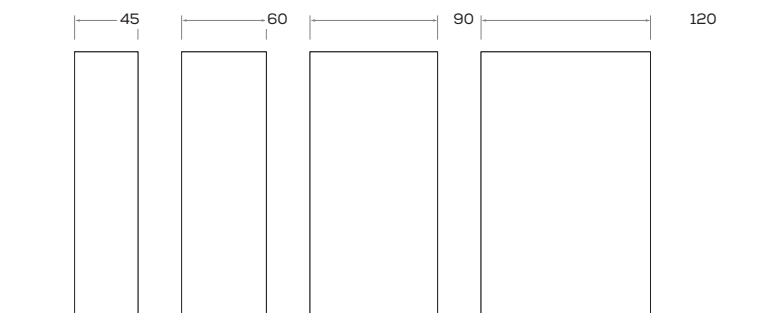
Altezza comprensiva di piedino regolabile.

Height includes adjustable foot.



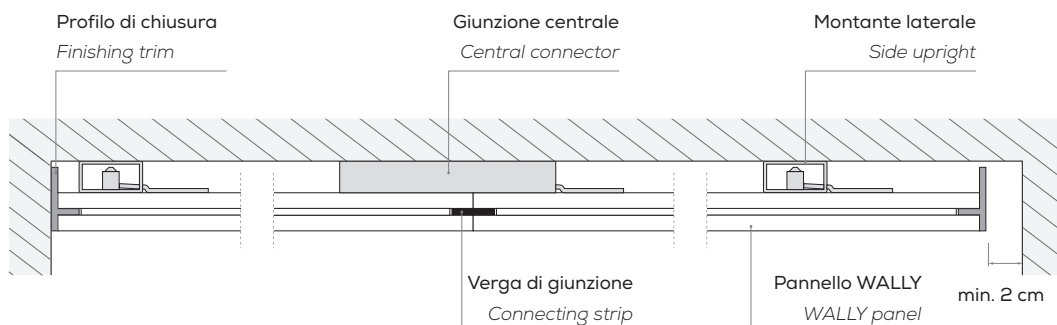
LARGHEZZE

WIDTHS



PROFONDITÀ

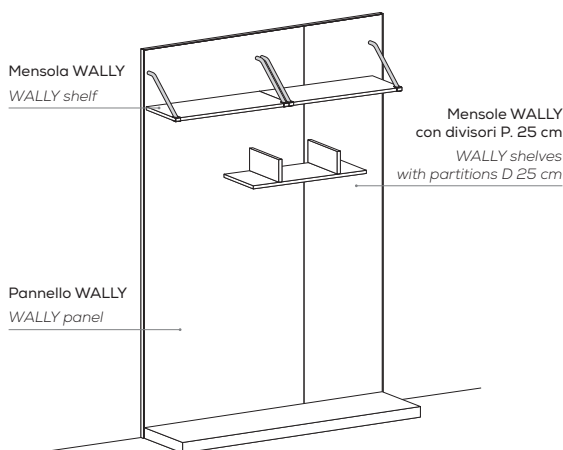
DEPTHS



Le informazioni contenute nelle presenti schede tecniche sono indicative. Eventuali differenze con il listino in vigore non costituiscono motivo di contestazione.
The information given in this technical sheet are indicative. Any discrepancies with the price list currently in force cannot be cause for complaint.

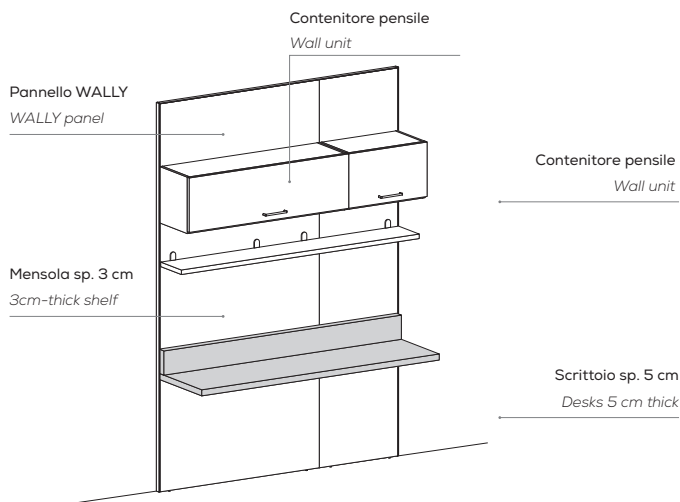
ESEMPIO FORATURA

EXAMPLE OF PRE-DRILLED HOLES



ESEMPIO PREFORATURA

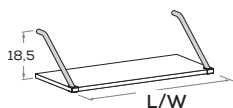
EXAMPLE OF PRE-DRILLED PILOT HOLES



Mensole WALLY

WALLY shelves

Sp. 2,2 cm. Comprensive di supporti in metallo per pannelli WALLY. 2,2cm thick. Include metal supports for WALLY panels.



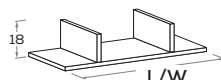
misure L. x H. x P. cm
dimensions W x H x D cm
42,8/57,8/87,8/117,8 x 18,5 x 25 cm

Portata max. 20 kg.
Load capacity 20 kg.

Mensole WALLY

WALLY shelves

Sp. 2,2 cm. Comprensive di attaccaglie per pannelli WALLY. 2,2cm thick. Include hanging brackets for WALLY panels.



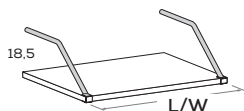
misure L. x H. x P. cm
dimensions W x H x D cm
57,8/87,8/117,8 x 18 x 25 cm

Portata max. 20 kg.
Load capacity 20 kg.

Mensole WALLY

WALLY shelves

Sp. 3 cm. Comprensive di supporti in metallo per pannelli WALLY. 3cm thick. Include metal supports for WALLY panels.



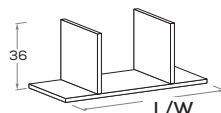
misure L. x H. x P. cm
dimensions W x H x D cm
42,8/57,8/87,8/117,8 x 18,5 x 43 cm

Portata max. 20 kg.
Load capacity 20 kg.

Mensole con divisorii

Shelves with partitions

Sp. 2,2 cm. Comprensive di attaccaglie per pannelli WALLY. 2,2cm thick. Include hanging brackets for WALLY panels.



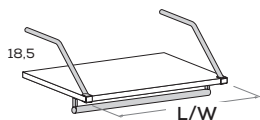
misure L. x H. x P. cm
dimensions W x H x D cm
57,8/87,8/117,8 x 36 x 25 cm

Portata max. 20 kg.
Load capacity 20 kg.

Mensole WALLY con tubo appendiabiti

WALLY shelves with hanging rail

Sp. 3 cm. Comprensive di supporti in metallo per pannelli WALLY. 3cm thick. Include metal supports for WALLY panels.



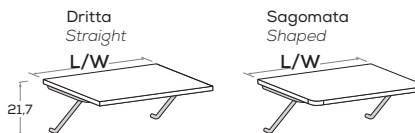
misure L. x H. x P. cm
dimensions W x H x D cm
42,8/57,8/87,8/117,8 x 18,5 x 43 cm

Portata max. 20 kg.
Load capacity 20 kg.

Piano d'appoggio WALLY sospeso

WALLY floating shelf

Sp. 3 cm. Comprensive di supporti in metallo per pannelli WALLY. 3cm thick. Include metal supports for WALLY panels.



misure L. x H. x P. cm
dimensions W x H x D cm
60/90 x 21,7 x 48,2 cm

Portata max. 20 kg.
Load capacity 20 kg.

Appendiabiti WALLY

WALLY hanging rails

Comprensive di attaccaglie per pannelli WALLY. Include metal supports for WALLY panels.



misure L. x H. x P. cm
dimensions W x H x D cm
55/85 x 18,7 x 33,5 cm

Portata max. 20 kg.
Load capacity 20 kg.

Mensole con supporti ARCO / Shelves with ARCO supports

Prof. 25,2 cm - Sp. 3 cm - Largh. min. 45 cm - max 300 cm
25,2 cm depth - 3cm thick - Width min 45 cm - mx 300 cm



Portata massima mensole 7 kg. al ml
Shelf load capacity 7 kg per linear metre

Mensole con supporti MORSETTO / Shelves with MORSETTO supports

Prof. 25,6 cm - Sp. 3 cm - Largh. min. 45 cm - max 300 cm
25,6 cm depth - 3cm thick - Width min 45 cm - mx 300 cm



Portata massima mensole 7 kg. al ml
Shelf load capacity 7 kg per linear metre