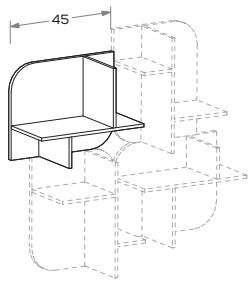


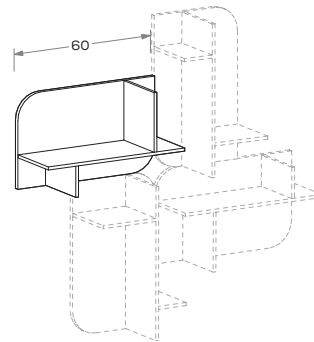
Struttura sp. 1,8 cm.
Tramezze sp. 1,2 cm.
Structure 1,8 cm thick.
Partitions 1,2 cm thick.
SX
LH



misure L x H x P cm
dimensions W x H x D cm

45 x 36,6 x 25 cm

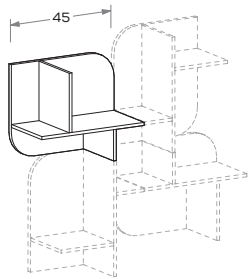
SX
LH



misure L x H x P cm
dimensions W x H x D cm

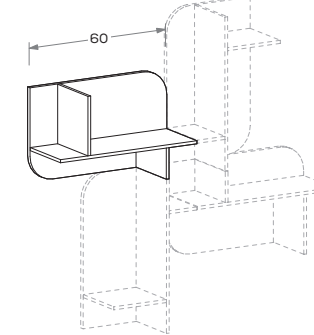
60 x 36,6 x 25 cm

DX
RH



Portata max. 20 kg
Load capacity 20 kg

DX
RH



Portata max. 20 kg
Load capacity 20 kg